

Technical Data

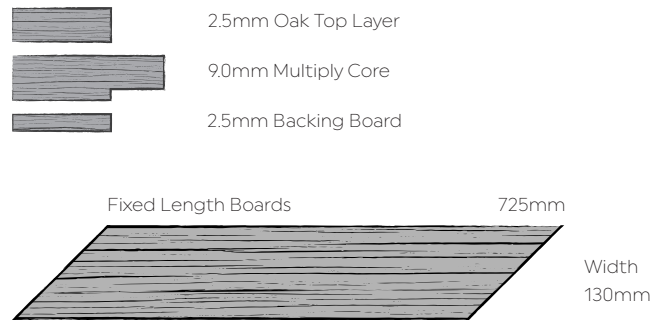
14mm T&G Chevron Oak

French Chateau Oak: Brushed & Matt Lacquered | ENG-OAK-2068

Product Photo:



Board Construction:



Product Specification & Handling Information:

Board Depth:	14mm
Board Width:	130mm
Board Length:	725mm
Pack Size:	0.610m ²
Pack Weight:	5.31kg
Packs Per Pallet:	56

Manufacturer Testing Standard:

Standard:	EN14342:2013 - Three-layer Flooring Board
Reaction to Fire:	Dfl - s1
Minimum Density:	500 kg/m ³
Minimum Thickness:	14mm
Formaldehyde:	E-1
Thermal Conductivity:	0.14 W/mK

Board Detail:

Type of Board:	Engineered Wood Flooring
Finish:	Brushed & Matt Lacquered
Bevel Detail:	4V Bevel
Density of Finish: According to EN13489 Testing Brinell (EN1534)	Average Hardness 37 MPa
Fix System:	T&G
Grade:	Rustic
Core Material:	Pine
Janka Reading:	1360

Misc Items:

Residential Warranty:	30 Years
Commercial Warranty:	On Application
Oak Origin:	Europe
Manufactured In:	Poland / Ukraine
Installation Type:	<input checked="" type="checkbox"/> Float
	<input checked="" type="checkbox"/> Bond
	<input checked="" type="checkbox"/> Nail
Underfloor Heating:	Suitable for underfloor heating provided it is fitted in accordance with manufacturers instructions - Manifold temp must not exceed 29°C

Key Features:



Accreditations:

