

Technical Data

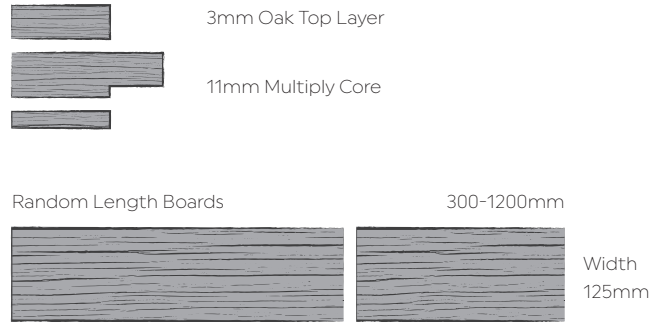
14 x 125mm T&G Engineered Oak
Brushed & Oiled | ENG-OAK-1401



Product Photo:



Board Construction:



Product Specification & Handling Information:

Board Depth:	14mm
Board Width:	125mm
Board Length:	Random Lengths (300-1200mm)
Pack Size:	1.80m ²
Pack Weight:	17kg
Packs Per Pallet:	48

Manufacturer Testing Standard:

Standard:	EN14342:2013 - Multi-layer Flooring Board
Reaction to Fire:	Dfl - s1
Minimum Density:	650 kg/m ³
Minimum Thickness:	14mm
Formaldehyde:	E-1
Thermal Conductivity:	0.16 W/mK

Board Detail:

Type of Board:	Engineered Wood Flooring
Finish:	Brushed & Oiled
Bevel Detail:	4V Bevel
Density of Finish:	NPD
Fix System:	T&G
Grade:	Rustic
Core Material:	Eucalyptus & Poplar
Janka Reading:	1360

Misc Items:

Residential Warranty:	15 Years
Commercial Warranty:	On Request
Oak Origin:	Europe
Manufactured In:	PRC
Installation Type:	<input checked="" type="checkbox"/> Float
	<input checked="" type="checkbox"/> Bond
	<input checked="" type="checkbox"/> Nail
Underfloor Heating:	Suitable for UFH if installed as floating floor with DPM underlay. - Manifold temp must not exceed 26°C

Key Features:



Accreditations:



Timba Floors & Boards is a trading style of B2B Wood Products Ltd.

©Copyright 2022

At the time of writing all information is specified correctly. The company reserves the right to change specifications of this product at any time without prior notice to third parties. The photographs used in this document are only intended as a visual references. No rights can be derived from the them.

Technical Data

14 x 125mm T&G Engineered Oak

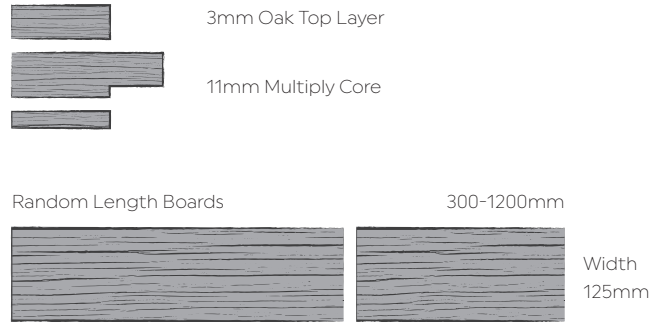
UV Lacquered | ENG-OAK-1402



Product Photo:



Board Construction:



Product Specification & Handling Information:

Board Depth:	14mm
Board Width:	125mm
Board Length:	Random Lengths (300-1200mm)
Pack Size:	1.80m ²
Pack Weight:	17kg
Packs Per Pallet:	48

Manufacturer Testing Standard:

Standard:	EN14342:2013 - Multi-layer Flooring Board
Reaction to Fire:	Dfl - s1
Minimum Density:	650 kg/m ³
Minimum Thickness:	14mm
Formaldehyde:	E-1
Thermal Conductivity:	0.16 W/mK

Board Detail:

Type of Board:	Engineered Wood Flooring
Finish:	UV Lacquered
Bevel Detail:	4V Bevel
Density of Finish:	NPD
Fix System:	T&G
Grade:	Rustic
Core Material:	Eucalyptus & Poplar
Janka Reading:	1360

Misc Items:

Residential Warranty:	15 Years
Commercial Warranty:	On Request
Oak Origin:	Europe
Manufactured In:	PRC
Installation Type:	<input checked="" type="checkbox"/> Float
	<input checked="" type="checkbox"/> Bond
	<input checked="" type="checkbox"/> Nail
Underfloor Heating:	Suitable for UFH if installed as floating floor with DPM underlay. - Manifold temp must not exceed 26°C

Key Features:



Accreditations:



Timba Floors & Boards is a trading style of B2B Wood Products Ltd.

©Copyright 2022

At the time of writing all information is specified correctly. The company reserves the right to change specifications of this product at any time without prior notice to third parties. The photographs used in this document are only intended as a visual references. No rights can be derived from the them.

Technical Data

14 x 125mm T&G Engineered Oak

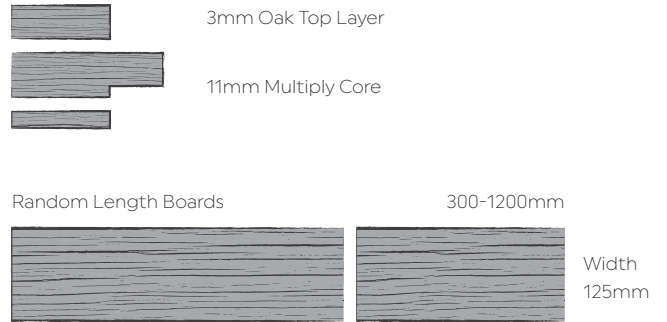
Cashmere Grey: Brushed & Matt Lacquered | ENG-OAK-1403



Product Photo:



Board Construction:



Product Specification & Handling Information:

Board Depth:	14mm
Board Width:	125mm
Board Length:	Random Lengths (300-1200mm)
Pack Size:	1.80m ²
Pack Weight:	17kg
Packs Per Pallet:	48

Manufacturer Testing Standard:

Standard:	EN14342:2013 - Multi-layer Flooring Board
Reaction to Fire:	Dfl - s1
Minimum Density:	650 kg/m ³
Minimum Thickness:	14mm
Formaldehyde:	E-1
Thermal Conductivity:	0.16 W/mK

Board Detail:

Type of Board:	Engineered Wood Flooring
Finish:	Brushed & Oiled
Bevel Detail:	4V Bevel
Density of Finish:	NPD
Fix System:	T&G
Grade:	Rustic
Core Material:	Eucalyptus & Poplar
Janka Reading:	1360

Misc Items:

Residential Warranty:	15 Years
Commercial Warranty:	On Request
Oak Origin:	Europe
Manufactured In:	PRC
Installation Type:	<input checked="" type="checkbox"/> Float
	<input checked="" type="checkbox"/> Bond
	<input checked="" type="checkbox"/> Nail
Underfloor Heating:	Suitable for UFH if installed as floating floor with DPM underlay. - Manifold temp must not exceed 26°C

Key Features:



Accreditations:



Timba Floors & Boards is a trading style of B2B Wood Products Ltd.

©Copyright 2022

At the time of writing all information is specified correctly. The company reserves the right to change specifications of this product at any time without prior notice to third parties. The photographs used in this document are only intended as a visual references. No rights can be derived from the them.